

Building connections that last™

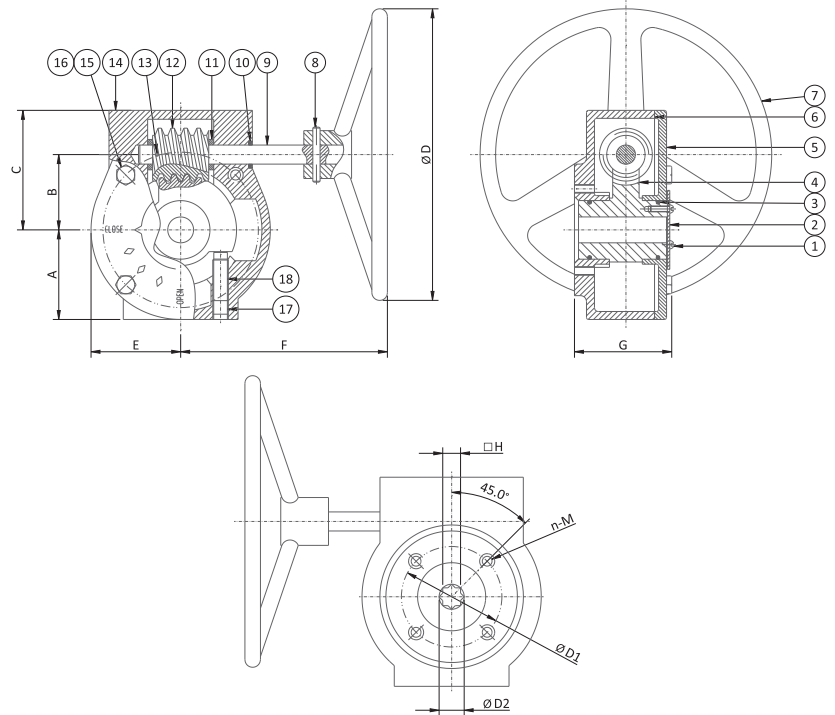


# Series SG

## Gear Operator Datasheet



**Gear Operator** SG-11 through SG-14



**Parts & Materials** SG-11 through SG-14

Item	Quantity	Description and Material Code
1	2	Bolts, Steel
2	1	Indicator, Aluminum
3	2	"O" Ring, ASTM D2000 NBR
4	1	Worm Gear, ASTM A536 65-45-12
5	1	Cover, ASTM A126 Class B
6	1	Spacer Sheet
7	1	Hand Wheel, ASTM A126 Class B
8	1	Taper Pin, AISI 1045
9	1	Shaft, AISI 1045

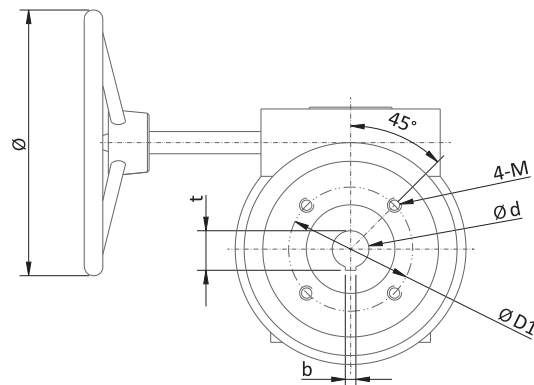
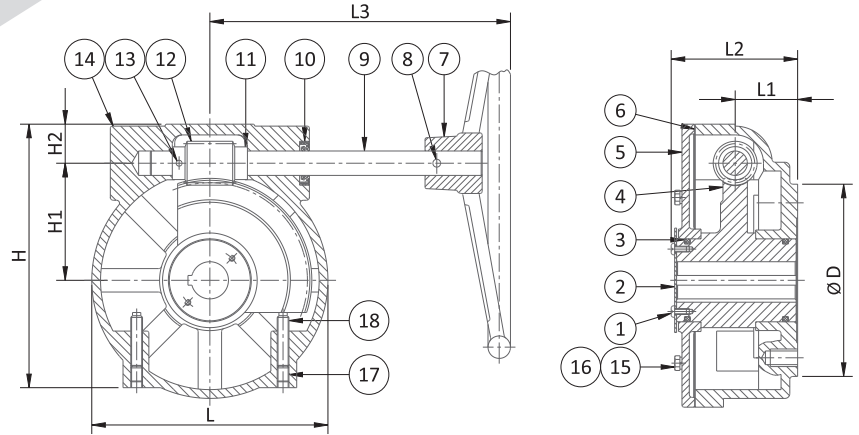
Item	Quantity	Description and Material Code
10	1	Ring, ASTM D2000 NBR
11	2	Baffle Ring, ASTM536 65-45-12
12	1	Worm, AISI 1045
13	1	Taper Pin, Steel
14	1	Housing, ASTM A126 Class B
15	4	Bolts, Steel
16	4	Spring Spacer, AISI 1566
17	1	Locking Screw, Steel
18	1	Adjusting Screw, Steel

**Dimensions** (Inches)

Model	Gear Ratio	D	E	F	A	C	G	B	D1	D2	M	n	h	Output Torque (In / Lbs)	Weight (Lbs.)
SG-11	24:1	5.79	2.07	6.10	2.13	2.87	2.85	1.77	1.97	.476	M6	4	.354	1,328	8.82
SG-12	24:1	5.79	2.07	6.10	2.13	2.87	2.85	1.77	2.76	.713	M8	4	.551	1,328	8.82
SG-13	30:1	11.22	2.85	9.06	2.85	3.94	3.02	2.60	4.02	1.11	M10	4	.867	4,425	17.2
SG-14	50:1	11.22	3.09	8.74	3.19	4.26	3.18	3.05	4.02	1.11	M10	4	.867	10,621	23.15

# Gear Operator Series SG

## Gear Operator SG-15 through SG-17



### Parts & Materials SG-15 through SG-17

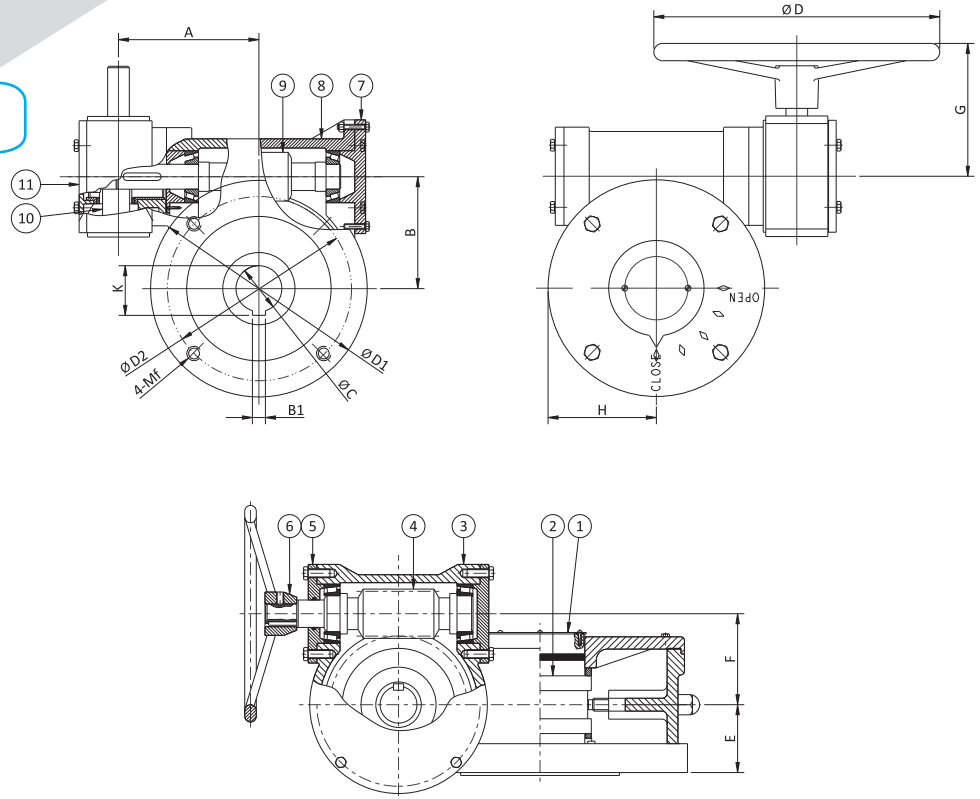
Item	Quantity	Description and Material Code
1	2	Bolts, Steel
2	1	Indicator, Aluminum
3	2	"O" Ring, ASTM D2000 NBR
4	1	Worm Gear, ASTM A536 65-45-12
5	1	Cover, ASTM A126 Class B
6	1	Spacer Sheet
7	1	Hand Wheel, ASTM A126 Class B
8	1	Taper Pin, AISI 1045
9	1	Shaft, AISI 1045

Item	Quantity	Description and Material Code
10	1	Ring, ASTM D2000 NBR
11	2	Baffle Ring, ASTM536 65-45-12
12	1	Worm, AISI 1045
13	1	Taper Pin, Steel
14	1	Housing, ASTM A126 Class B
15	4	Bolts, Steel
16	4	Spring Spacer, AISI 1566
17	1	Locking Screw, Steel
18	1	Adjusting Screw, Steel

### Dimensions (Inches)

Model	Gear Ratio	L	L1	L2	L3	H	H1	H2	D	D1	M	Ø	d	b	t	Output Torque (In / Lbs)	Weight (Lbs.)
SG-15	80:1	6.18	1.53	3.18	8.74	7.45	3.05	1.21	5.51	4.02	M10	11.22	1.25	.315	1.38	10,621	23.15
SG-16	80:1	10.04	2.32	4.72	11.10	11.12	4.72	1.38	7.76	5.51	M16	15.75	1.31	.394	1.42	22,127	55.12
SG-17	80:1	10.04	2.32	4.72	11.10	11.12	4.72	1.38	7.76	5.51	M16	15.75	1.50	.394	1.61	22,127	55.12

**Gear Operator SG-18 and SG-19**



**Parts & Materials SG-18 and SG-19**

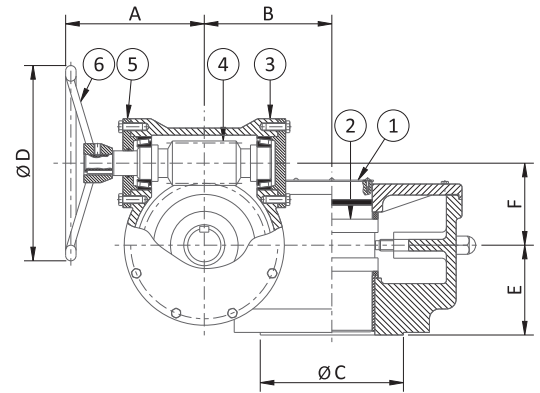
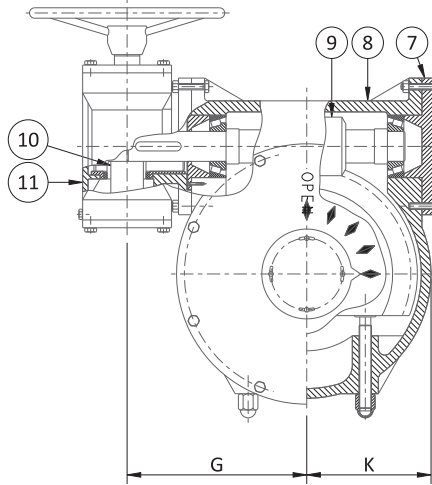
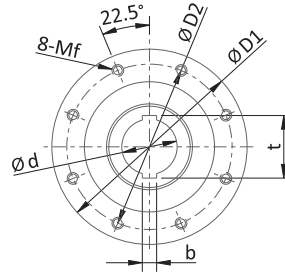
Item	Quantity	Description and Material Code
1	1	Indicator, Steel
2	1	Big Worm Gear, Ductile Iron
3	1	Small Housing, ASTM A126 CL. B
4	1	Small Worm, Steel
5	1	Small End Cover, ASTM A126 CL. B
6	1	Hand Wheel, ASTM A126 CL. B
7	1	Left End Cover, ASTM A126 CL.B
8	1	Big Housing, ASTM A126 CL. B
9	1	Big Worm, Steel
10	1	Small Worm Gear, Ductile Iron
11	1	Small Cover, ASTM A126 CL. B



**Dimensions (Inches)**

Model	Gear Ratio	A	B	C	D	E	F	G	H	D1	D2	B1	K	Mf	Output Torque (In / Lbs)	Weight (Lbs.)
SG-18	560:1	11.34	4.09	1.63	9.84	2.52	2.60	7.17	4.31	7.76	5.51	.394	1.74	M16	22,127	79.4
SG-19	640:1	12.28	4.92	2.00	11.81	2.36	2.60	7.17	5.20	10.87	6.50	.630	2.22	M20	35,403	98.5

**Gear Operator** SG-20 through SG-23



**Parts & Materials** SG-20 through SG-23

Item	Quantity	Description and Material Code
1	1	Indicator, Steel
2	1	Big Worm Gear, Ductile Iron
3	1	Small Housing, ASTM A126 CL. B
4	1	Small Worm, Steel
5	1	Small End Cover, ASTM A126 CL. B
6	1	Hand Wheel, ASTM A126 CL. B
7	1	Left End Cover, ASTM A126 CL. B
8	1	Big Housing, ASTM A126 CL. B
9	1	Big Worm, Steel
10	1	Small Worm Gear, Ductile Iron
11	1	Small Cover, ASTM A126 CL. B



**Dimensions** (Inches)

Model	Gear Ratio	A	B	C	D	E	F	G	K	D1	D2	b	t	Mf	d	Output Torque (In / Lbs)	Weight (Lbs.)
SG-20	704:1	7.68	5.51	7.87	15.75	3.15	3.46	9.57	5.91	11.81	10.0	.713	2.84	M16	2.50	70,806	165
SG-21	704:1	8.74	7.72	7.87	17.72	3.66	3.90	11.10	8.70	11.81	10.0	.791	3.34	M16	2.96	132,761	298
SG-22	704:1	8.74	7.72	7.87	17.72	3.66	3.90	11.10	8.70	11.81	10.0	.870	3.77	M16	3.35	132,761	298
SG-23	704:1	8.74	9.29	9.06	17.72	5.20	3.90	12.44	9.84	13.78	11.73	.988	4.17	M20	3.75	221,268	365

### **About ASC Engineered Solutions**

ASC Engineered Solutions is defined by quality—in its products, services and support. With more than 1,400 employees, the company's portfolio of precision-engineered piping support, valves and connections provides products to more than 4,000 customers across industries, such as mechanical, industrial, fire protection, oil and gas, and commercial and residential construction. Its portfolio of leading brands includes ABZ Valve®, AFCON®, Anvil®, Anvil EPS, Anvil Services, Basic-PSA, Beck®, Catawissa, Cooplet®, FlexHead®, FPPI®, Golvlok®, J.B. Smith, Merit®, North Alabama Pipe, Quadrant®, SCI®, Sharpe®, SlideLOK®, SPF® and SprinkFLEX®. With headquarters in Commerce, CA, and Exeter, NH, ASC also has ISO 9001:2015 certified production facilities in PA, TN, IL, TX, AL, LA, KS, and RI.



[asc-es.com](http://asc-es.com)

Building connections that last™

FC-DS-SERIES-SG-v03 20260319

