

Sway Brace Swivel Attachment Fig. AF077

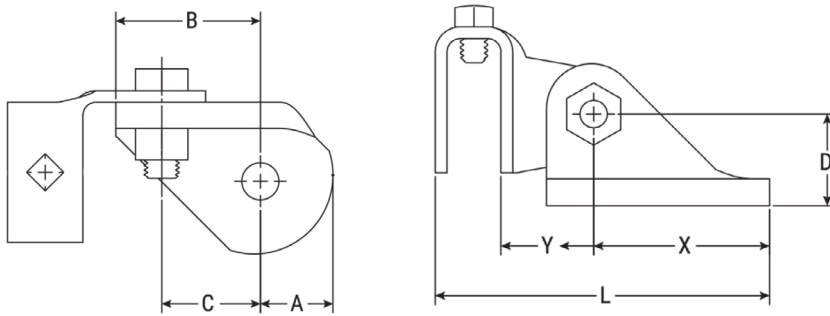


FIG. AF077: Dimensions and Weight

Brace Size	A	B	C	D	L	X	Y	Weight
	In./mm	In./mm	In./mm	In./mm	In./mm	In./mm	In./mm	lbs/kg
1"	1 25.40	1.83 46.48	1.25 31.75	1.38 35.05	4.46 113.28	2.25 57.15	1.35 34.29	1.12 0.51

Material Specifications

Size Range:

Brace Pipe: 1" NPS Sch 40 Steel Pipe
Anchor Size: ½" (M12)

Material

Carbon Steel

Finish

Plain
Electro-Galvanized

Service

A seismic swivel attachment designed to connect a brace member to the building structure or to a seismic structural attachment. The AF077 rigidly braces piping systems subjected to horizontal and vertical seismic loads.

Approvals

cULus Listed (UL 203a) and FM Approved (FM 1950-23). Complies with NFPA 13, ASCE 7, IBC, & MSS SP-127 bracing requirements.

Features

The set screw provides a visual indication that proper installation has been achieved.

Ordering

Specify figure number, finish, and description.



PROJECT INFORMATION	APPROVAL STAMP
Project:	Approved
Address:	Approved as noted
Contractor:	Not approved
Engineer:	Remarks:
Submittal Date:	
Notes 1:	
Notes 2:	

Sway Brace Swivel Attachment Fig. AF077

FIG. AF077 cULus Listing per ANSI/UL 203a (ASD)

Brace Member	Fastener Size	Horizontal Load Rating at Brace Angle			Listed
		30°-44°	45°-59°	60°-90°	
1" Sch 40 Pipe	½" (M12)	340 lbf (1.51 kN)	480 lbf (2.14 kN)	588 lbf (2.62 kN)	680 lbf (3.02 kN)

- 1) Load ratings may apply to NPFA 13 fastener orientations A, B, C, D, E, F, G, H, or I.
- 2) Brace Angles are determined from Vertical.
- 3) Listed load ratings reduced for angle ranges in accordance with NFPA 13-2019 Table 18.5.2.3.
- 4) Minimum safety factor of 2.2 in accordance with NFPA 13-2019 Section A.18.5.2.3.

FIG. AF077 cULus Listing per UL 203a (ASD) for NFPA 13-2016 Editions or Earlier

UL's current Listings are predicated on installation in accordance with the latest edition of NFPA 13. The 2016 and earlier editions of NFPA 13 referenced a minimum safety factor of 1.5 for the load rating as compared to 2.2 for the current edition. The load ratings noted in this table are consistent with the historical cULus Listings that were evaluated to the requirements of UL 203A, Outline of Investigation for Sway Brace Devices for Fire Sprinkler System Piping, based upon a minimum safety factor of 1.5 in accordance with the earlier editions of NFPA 13. The load ratings based upon the 2016 or earlier editions of NFPA 13 should only be used where approved by the Authority Having Jurisdiction (AHJ).

Brace Member	Fastener Size	Horizontal Load Rating at Brace Angle			Listed
		30°-44°	45°-59°	60°-90°	
1" Sch 40 Pipe	½" (M12)	500 lbf (2.22 kN)	707 lbf (3.15 kN)	865 lbf (3.85 kN)	1000 lbf (4.45 kN)

- 1) Load ratings may apply to NPFA 13 fastener orientations A, B, C, D, E, F, G, H, or I.
- 2) Brace Angles are determined from Vertical.
- 3) Listed load ratings reduced for angle ranges in accordance with NFPA 13-2016 Table 9.3.5.2.3.
- 4) Minimum safety factor of 1.5 in accordance with NFPA 13-2016 Section A.9.3.5.2.3.

FIG. AF077 FM Approved (Listing) per FM 1950-23 (ASD)

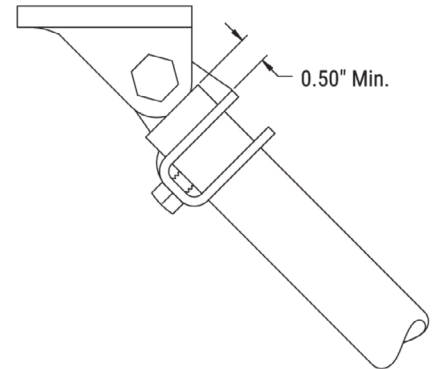
Brace Member	Fastener Size	Horizontal Load Rating at Brace Angle			
		30°-44°	45°-59°	60°-74°	75°-90°
1" Sch 40 Pipe	½" (M12)	570 lbf (2.53 kN)	810 lbf (3.60 kN)	990 lbf (4.40 kN)	1110 lbf (4.93 kN)

- 1) Load ratings may apply to NPFA 13 fastener orientations A, B, C, D, E, F, G, H, or I.
- 2) Brace Angles are determined from Vertical.
- 3) Listed load ratings reduced for angle ranges in accordance with NFPA 13-2019 Table 18.5.2.3.
- 4) Minimum safety factor of 1.5 in accordance with NFPA 13-2016 Section A.9.3.5.2.3. To convert the load ratings above to a safety factor of 2.2 per NFPA 13-2019 Section A.18.5.2.3, multiply load ratings by a factor of 0.68.
- 5) To convert to LRFD Load Ratings, ASD Load Ratings may be multiplied by a factor of 2.2.

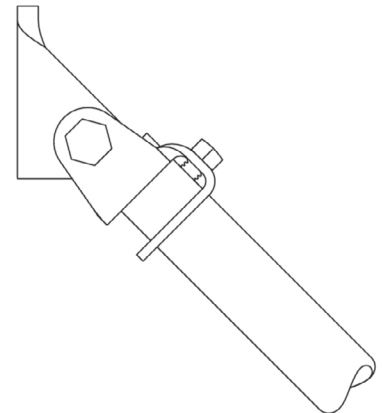
FIG. AF077 Horizontal Prying Factors (Pr) Per NFPA 13

Fastener Orientation	A	B	C	D	E	F	G	H	I
	30°-44°	45°-59°	60°-90°	30°-44°	45°-59°	60°-90°	30°-44°	45°-59°	60°-90°
AF077	2.52	1.07	1.38	1.62	1.42	2.25	2.75	1.94	1.59
AF077 w/ Metal Deck	2.52	1.16	1.38	-	-	-	-	-	-

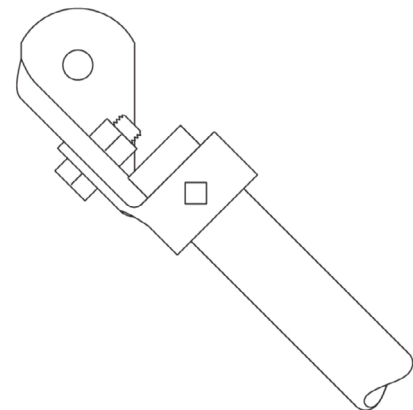
Prying Factors calculated in accordance with NFPA 13-2019 Section A.18.5.12.2 with additional consideration for the baseplate eccentricity.



NFPA 13 Orientations A, B, or C



NFPA 13 Orientations D, E, or F



NFPA 13 Orientations G, H, or I



asc-es.com

Building Connections That Last™

Sway Brace Swivel Attachment Fig. AF077

Method 1 – Connection to Brace Member First

- 1 Slide the brace member through the hoop end. A minimum of 0.50 in (12.7mm) should extend past the back of the hoop end.
- 2 Hand tighten the set screw until it contacts the brace member. Continue to torque the set screw until the head bottoms out on the hoop end.
- 3 Rotate the brace assembly up to the fastener or the related seismic structural attachment and connect through the mounting hole.
- 4 Tighten per the fastener or structural attachment specifications.
- 5 Ensure the brace angle is within the specified range.

Notes: The cross bolt should be hand tight. For visual inspection, at least one thread should be exposed.

Method 2 – Connection to Structure First

- 1 Connect the AF077 to the fastener or the related seismic structural attachment.
- 2 Tighten per the fastener or structural attachment specifications.
- 3 Slide the brace member through the hoop end. A minimum of 0.50 in (12.7mm) should extend past the back of the hoop end.
- 4 Hand tighten the set screw until it contacts the brace member. Continue to torque the set screw until the head bottoms out on the hoop end.
- 5 Rotate the brace member until the brace angle is within the specified range.

Notes: The cross bolt should be hand tight. For visual inspection, at least one thread should be exposed.

Structural Attachments, Anchors, & Fasteners Listed, Approved, & Tested with the AF077

Structural Attachment	Structure
AF085	Steel Joist (Top Chord)
AF086	Horizontal Steel Flange (I-Beam Bottom Flange)
AF087	Horizontal Steel Flange (I-Beam Top or Bottom Flange) C-Channel (Top or Bottom Flange) Vertical Flange of a Joist (Top Chord)
AF779	All Structures with the Applicable Approved Anchor or Fastener
DeWalt Power-Stud®+ SD1	Cracked Concrete Cracked Concrete Filled Metal Deck
DeWalt Power-Stud®+ SD2	Cracked Concrete Cracked Concrete Filled Metal Deck
DeWalt Wood-Knocker®II+	Cracked Concrete
DeWalt Bang-It®+	Cracked Concrete Filled Metal Deck
DeWalt DDI+™	Cracked Concrete Filled Metal Deck
Anchors & Fasteners Per NFPA 13	Cracked Concrete Cracked Concrete Filled Metal Deck Steel Wood Saw Lumber or Glue-Laminated Timbers

Notes: ASC Engineered Solutions™ brand bracing components are designed to be compatible ONLY with other ASC Engineered Solutions brand bracing components, resulting in a Listed seismic bracing assembly. Updated UL listing information may be viewed at www.ul.com and updated FM approval information may be viewed at www.approvalguide.com.

Disclaimer: ASC Engineered Solutions does not provide any warranties and specifically disclaims any liability whatsoever with respect to ASC bracing products and components that are used in combination with products, parts or systems not manufactured or sold by ASC. In no event shall ASC be liable for any incidental, direct, consequential, special or indirect damages or lost profits where non-ASC bracing components have been, or are used.

Seis Brace® Seismic Fire Protection Design Tool may be accessed at www.seisbrace.com



asc-es.com

Building Connections That Last™